

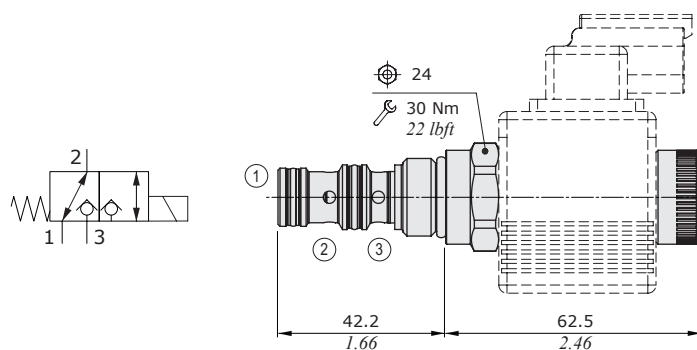
## EL08B type directional solenoid valve - 3 way / 2 positions

- Direct acting
- Poppet type
- SAE08 cavity
- Low power consumption

Technical specifications and diagrams are measured with mineral oil of 46 cSt viscosity at 40°C (104°F) temperature.

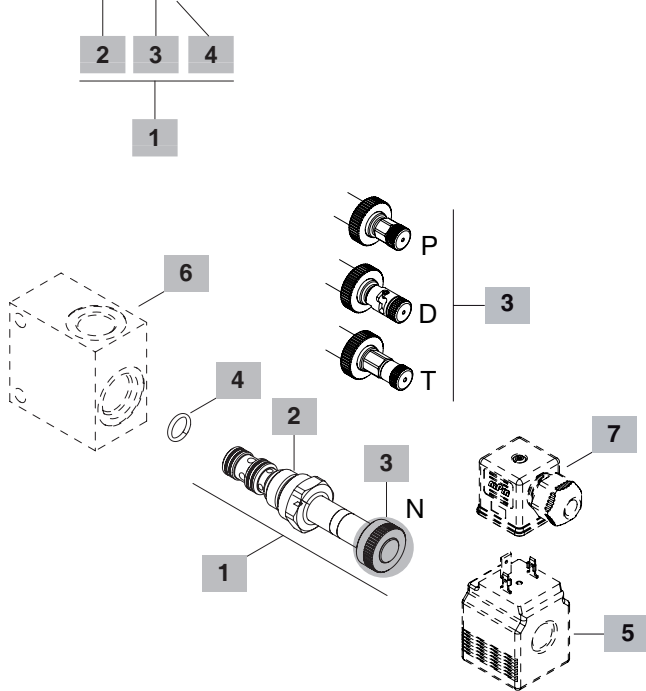
EL08B		
Nominal flow		10 l/min (2.64 US gpm)
Max. pressure		250 bar (3600 psi)
Oil leakage	at 210 bar (3050 psi)	0.25 cm <sup>3</sup> /min (0.015 in <sup>3</sup> /min)
Fluid		mineral based oil
Viscosity		10-200 cSt
Max level of contamination		18/16/13 ISO4406
Fluid temperature	with NBR seals with FPM seals	from -20°C (-4°F) to 80°C (176°F) from -20°C (-4°F) to 100°C (212°F)
Environmental temp. for working conditions		from -20°C (-4°F) to 50°C (122°F)
Cavity		SAE 08/3
Coil type*		BER
Nominal voltages		12 VDC - 24 VDC ± 10%
Power rating		19 W
Weight		0.16 kg (0.35 lb)

NOTE - For different conditions, please contact Walvoil Sales Dpt. - \*For coils further features see from page 206.



### Ordering codes and description composition

#### EL08B/10 NB



#### 1 Cartridges

TYPE	CODE	DESCRIPTION
<b>EL08B/10NB</b>	0EL08002009	Without emergency
<b>EL08B/10PB</b>	0EL08002006	With push-button emergency
<b>EL08B/10TB</b>	0EL08002007	Screw type emergency
<b>EL08B/10DB</b>	0EL08002008	Push type with detent emergency

#### 2 Spool

TYPE	DESCRIPTION
<b>1</b>	Spool 1

#### 3 Emergency

TYPE	DESCRIPTION
<b>N</b>	Without emergency
<b>P</b>	Push-button emergency
<b>T</b>	Screw type emergency
<b>D</b>	Push type with detent emergency

#### 4 Seals

TYPE	DESCRIPTION
<b>B</b>	<b>NBR (Buna)</b> o-ring seals, std configuration
<b>V</b>	<b>FPM (Viton)</b> o-ring seals, contact Sales Dept.

#### 5 Coil

TYPE	CODE	DESCRIPTION
<b>BER 12 VDC</b>	4SLE001200A	Bobina 12VDC-ISO4400

For complete coils list see from page 206

#### 6 Valve body

TYPE	CODE	DESCRIPTION
<b>SAE 08/3-G 1/4</b>	3CC0830B11	Aluminium body for cavity 08 valve, G 1/4 std thread

For steel bodies or different threading see from page 217

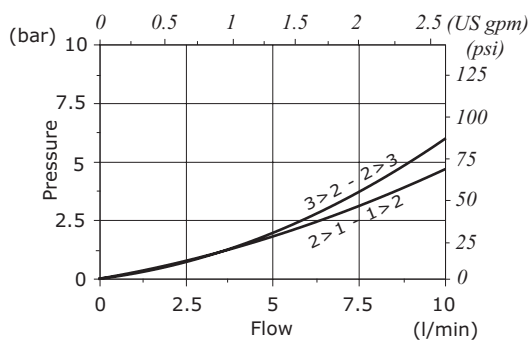
#### 7 Connector

TYPE	CODE	DESCRIPTION
<b>ISO4400</b>	4CN1009995	Connector

For complete connectors list see from page 206

### Rating diagrams

Pressure drop vs. flow



Performance limit

