



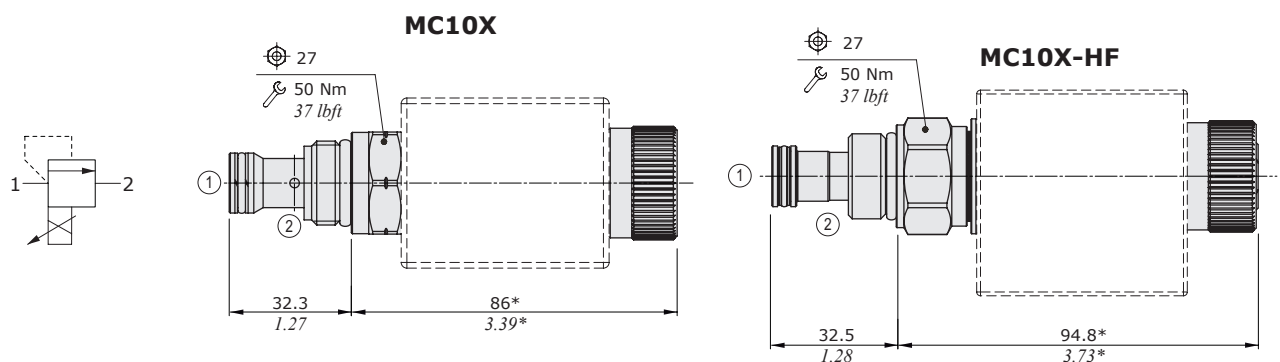
MC10X - MC10X-HF type pressure relief valve - 2 way

- Solenoid proportional type, direct acting
- Poppet type

Technical specifications and diagrams are measured with mineral oil of 46 cSt viscosity at 40°C (104°F) temperature.

	MC10X	MC10X-HF
Max. flow	3 l/min (0.79 US gpm)	10 l/min (2.64 US gpm)
Max. pressure	350 bar (5100 psi)	250 bar (3600 psi)
Oil leakage	80% of max. pressure setting 0.25 cm ³ /min (0.015 in ³ /min)	0.5 cm ³ /min (0.030 in ³ /min)
Fluid	mineral based oil	
Viscosity	10-200 cSt	
Max level of contamination	18/16/13 ISO4406	
Fluid temperature	with NBR seals with FPM seals	from -20°C (-4°F) to 80°C (176°F) from -20°C (-4°F) to 100°C (212°F)
Environmental temp. for working conditions	from -40°C (-40°F) to 100°C (212°F)	
Cavity	SAE 10/2	
Coil type*	BH or BQP19	BQP19
Nominal voltages	12 VDC - 24 VDC	
Power rating	20.4 W (BH) - 15 W (BQP19)	15 W
Max. control current	12 V -> 1.70 A - 24 V -> 0.85 A (BH) 12 V -> 1.25 A - 24 V -> 0.63 A (BQP19)	12 V -> 1.25 A - 24 V -> 0.63 A
Dither frequency	150 Hz	
Hysteresis	<5%	
Weight	0.760 kg (1.67 lb)	0.863 kg (1.90 lb)

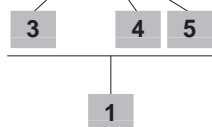
NOTE - For different conditions, please contact Walvoil Sales Dpt. - For coils further features see from page 206.



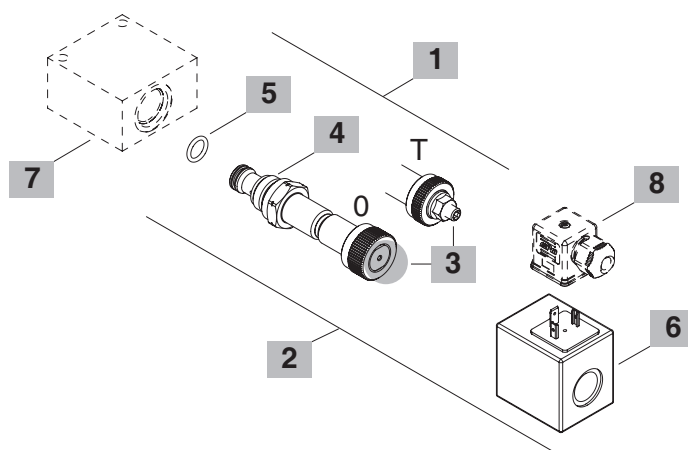
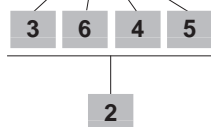
NOTE (*): dimension for configuration without override, for dimensions with different type of emergency see page 213.

Ordering codes and description composition

MC10X/001B



MC10X/031B



1 Cartridges

TYPE	CODE	DESCRIPTION
MC10X/001B	0MC10002050	Pressure range 1
MC10X/002B	0MC10002051	Pressure range 2
MC10X/003B	0MC10002052	Pressure range 3

2 Complete cartridges with coil

TYPE	CODE	DESCRIPTION
<i>Note: not for MC10X-HF</i>		
MC10X/031B	0MC10002039	Pressure range 1 , 12VDC
MC10X/032B	0MC10002040	Pressure range 2 , 12VDC
MC10X/033B	0MC10002041	Pressure range 3 , 12VDC
MC10X-HF/033B	0MC10002064	Pressure range 3 , 12VDC
MC10X-HF/T33B	0MC10002089	Pressure range 3 , 12VDC

3 Emergency

TYPE	DESCRIPTION
0	Without override
T	With screw

4 Pressure range

TYPE	DESCRIPTION
MC10X	
1	Pressure range 7÷120 bar (102÷1740 psi)
2	Pressure range 7÷170 bar (102÷2450 psi)
3	Pressure range 7÷210 bar (102÷3050 psi)

MC10X-HF

3	Pressure range 3÷230 bar (43÷3330 psi)
----------	--

Note: for further pressure range contact Sales Dept.

5 Seals

TYPE	DESCRIPTION
B	NBR (Buna) o-ring seals, std configuration
V	FPM (Viton) o-ring seals, contact Sales Dept.

6 Coil

TYPE	CODE	DESCRIPTION
2) BH 12VDC	4SLD001200	12VDC-ISO4400 coil
3) BQP19 12VDC	4SL5000126	12VDC-ISO4400 coil
4) BH 24VDC	4SLD002400	24VDC-ISO4400 coil
5) BQP19 24VDC	4SL5000245	24VDC-ISO4400 coil

*Note: for HF version use only BQP19 coil
For complete coils list see from page 206*

7 Valve body

TYPE	CODE	DESCRIPTION
SAE 10/2-G 3/8	3CC1020C11	Aluminium body for cavity 10 valve, G 3/8 std thread

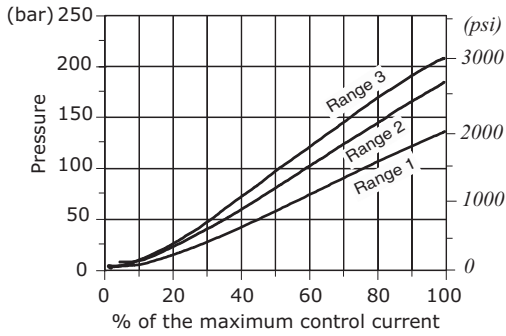
*Note: aluminium body can stand up to 210 bar (3050 psi)
For steel bodies or different threading see from page 215*

8 Connector

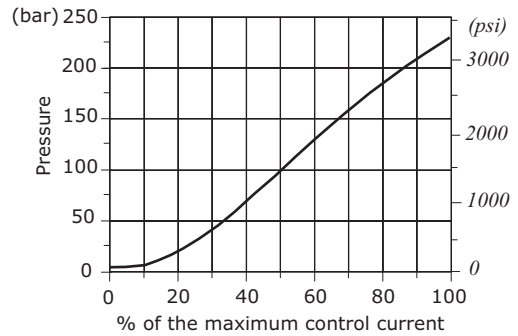
TYPE	CODE	DESCRIPTION
ISO4400	4CN1009995	Connector

For complete connectors list see from page 206

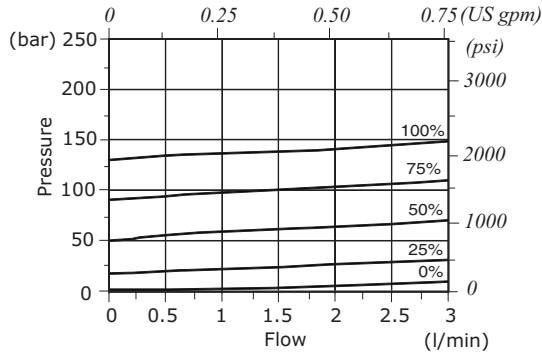
MC10X pressure setting vs. % max. control current
at 1 l/min (0.26 US gpm)



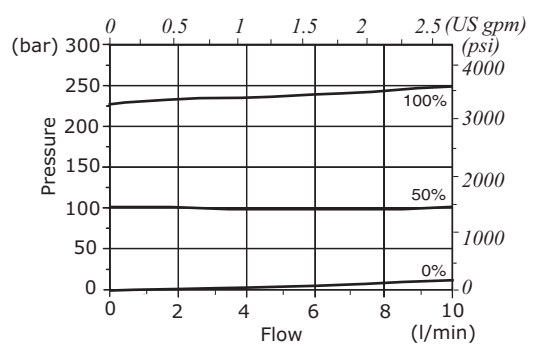
MC10X-HF pressure setting vs. % max. control current
at 2 l/min (0.53 US gpm)



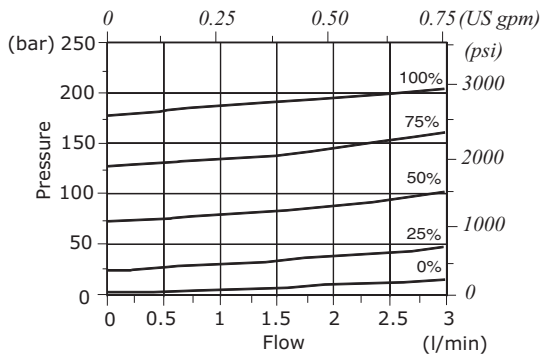
MC10X pressure vs. flow 1->2
for % of control current - Pressure range 1 -



MC10X-HF pressure vs. flow 1->2
for % of control current



MC10X pressure vs. flow 1->2
for % of control current - Pressure range 2 -



MC10X pressure vs. flow 1->2
for % of control current - Pressure range 3 -

