



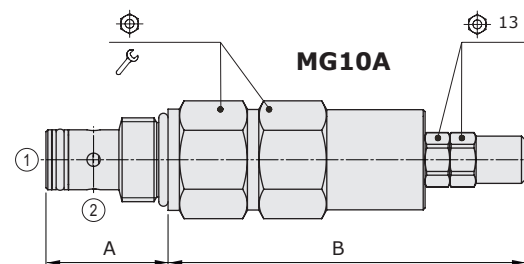
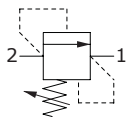
MG..A type pressure relief valve - 2 way

- Differential operated
- Poppet type

Technical specifications and diagrams are measured with mineral oil of 46 cSt viscosity at 40°C (104°F) temperature.

	MG10A	MG12A
Nominal flow	60 l/min (15.8 US gpm)	100 l/min (26.4 US gpm)
Max. pressure	350 bar (5100 psi)	
Oil leakage	80% of max. pressure setting	2 cm ³ /min (0.122 in ³ /min)
Fluid	mineral based oil	
Viscosity	10-200 cSt	
Max level of contamination	20/18/14 ISO4406	
Fluid temperature	with NBR seals with FPM seals	from -20°C (-4°F) to 80°C (176°F) from -20°C (-4°F) to 100°C (212°F)
Environmental temp. for working conditions	from -20°C (-4°F) to 50°C (122°F)	
Cavity	SAE 10/2	SAE 12/2
Weight	0.34 kg (0.75 lb)	0.87 kg (1.92 lb)

NOTE - For different conditions, please contact Walvoil Sales Dpt.

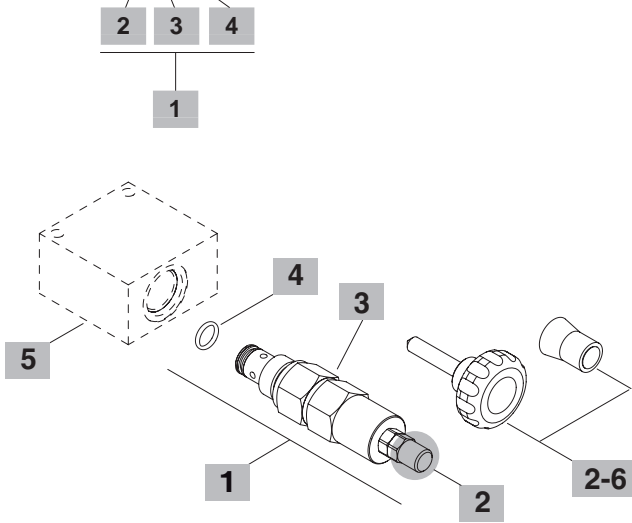


Valve type	A		B		⌀	⌘	
	mm	in	mm	in		Nm	lbft
MG10A/OS	32.3	1.27	94.5	3.72	27	50	37
MG12A/OS	46	1.81	126.5	4.98	36	80	59

For dimensions with different type of adjustment see page 213

Ordering codes and description composition

MG10A/OS1B



1 Cartridges

TYPE	CODE	DESCRIPTION
SAE cavity 10/2		
MG10A/OS1B	OMG10002009	Pressure range 1
MG10A/OS2B	OMG10002002	Pressure range 2
MG10A/OS3B	OMG10002003	Pressure range 3
MG10A/OS4B	OMG10002001	Pressure range 4
SAE cavity 12/2		
MG12A/OS1B	OMG12002000	Pressure range 1
MG12A/OS2B	OMG12002001	Pressure range 2
MG12A/OS3B	OMG12002002	Pressure range 3

2 Adjustments

TYPE	DESCRIPTION
S	Screw with cap
V	With handwheel (part code: see point 6)
X	Valve set with antitampering cap (part code: see point 6)

3 Pressure range

Standard setting is referred to 5 l/min (1.32 US gpm) flow

TYPE	DESCRIPTION
1	For SAE cavity 10/2: pressure range 30÷100 bar (435÷1450 psi); Std. setting 80 bar (1160 psi) For SAE cavity 12/2: pressure range 20÷100 bar (290÷1450 psi); Std. setting 50 bar (725 psi)
2	Pressure range 50÷200 bar (725÷2900 psi); Std. setting 150 bar (2175 psi)
3	Pressure range 150÷350 bar (2175÷5100 psi); Std. setting 250 bar (3625 psi)
4	Pressure range 5÷60 bar (72.5÷870 psi); Std. setting 30 bar (435 psi), only for SAE cavity 10/2

4 Seals

TYPE	DESCRIPTION
B	NBR (Buna) o-ring seals, std configuration
V	FPM (Viton) o-ring seals, contact Sales Dept.

5 Valve body

TYPE	CODE	DESCRIPTION
SAE 10/2-G 3/8	3CC1020C11	Aluminium body for cavity 10 valve, G 3/8 std thread
SAE 12/2-G 1/2	3CC1220D11	Aluminium body for cavity 12 valve, G 1/2 std thread

Note: aluminium body can stand up to 210 bar (3050 psi)
For steel bodies or different threading see from page 215

6 Accessories

TYPE	CODE	DESCRIPTION
-	4VL2407100	Handwheel
-	4COP120420	Antitampering cap

Rating diagrams

