



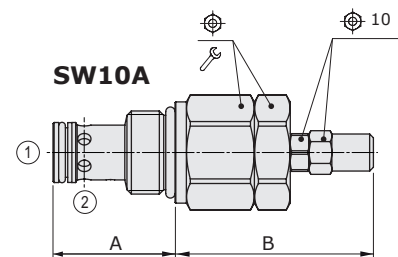
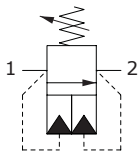
## SW..A type sequence valves - 2 way

- Pressure release type
- Pilot operated
- Spool type
- From SAE10 to SAE16 cavities

Technical specifications and diagrams are measured with mineral oil of 46 cSt viscosity at 40°C (104°F) temperature.

		SW10A	SW12D	SW16A
Nominal flow		60 l/min (16 US gpm)	100 l/min (26 US gpm)	180 l/min (48 US gpm)
Max. pressure		350 bar (5100 psi)		
Oil leakage	80% of max. pressure setting	22 cm <sup>3</sup> /min (1.34 in <sup>3</sup> /min)	50 cm <sup>3</sup> /min (3.05 in <sup>3</sup> /min)	100 cm <sup>3</sup> /min (6.1 in <sup>3</sup> /min)
Fluid		mineral based oil		
Viscosity		10-200 cSt		
Max level of contamination		20/18/14 ISO4406		
Fluid temperature	with NBR seals with FPM seals	from -20°C (-4°F) to 80°C (176°F) from -20°C (-4°F) to 100°C (212°F)		
Environmental temp. for working conditions		from -20°C (-4°F) to 50°C (122°F)		
Cavity		SAE 10/2	SAE 12/2	SAE 16/2
Weight		0.20 kg (0.44 lb)	0.30 kg (0.66 lb)	0.44 kg (0.97 lb)

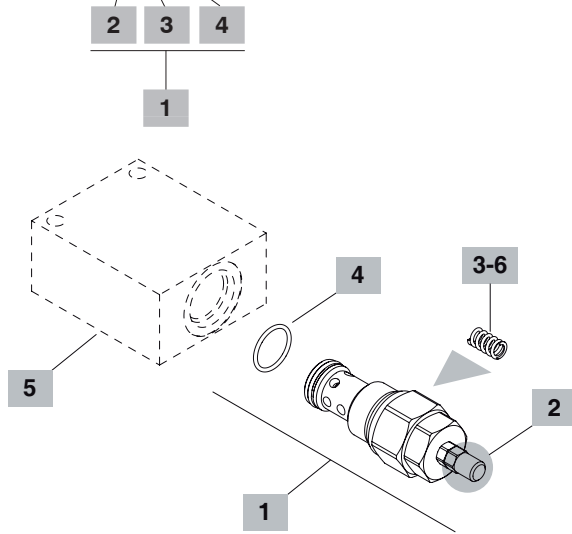
NOTE - For different conditions, please contact Walvoil Sales Dpt.



Valve type	A		B				
	mm	in	mm	in		Nm	lbft
SW10A	32.3	1.27	52.5	2.07	27	50	37
SW12D	46	1.81	52.5	2.07	32	80	59
SW16A	45.2	1.78	53	2.09	41	100	74

Ordering codes and description composition

SW10A/OS2B



3 Pressure range

Standard setting is referred to at 5 l/min (1.32 US gpm) flow

TYPE	DESCRIPTION
1	Pressure range 10÷80 bar (145÷1160 psi); Std. setting 30 bar (435 psi), pressure increase by steps of 10 bar (145 psi) per screw turn
2	Pressure range 50÷220 bar (725÷3200 psi); Std. setting 150 bar (2200 psi), pressure increase by steps of 36 bar (520 psi) per screw turn
3	Pressure range 150÷350 bar (2200÷5100 psi); Std. setting 250 bar (3600 psi), pressure increase by steps of 90 bar (1300 psi) per screw turn

4 Seals

TYPE	DESCRIPTION
B	<b>NBR (Buna)</b> o-ring seals, std configuration
V	<b>FPM (Viton)</b> o-ring seals, contact Sales Dept.

5 Valve body

TYPE	CODE	DESCRIPTION
<b>SAE 10/2-SAE8</b>	3CC1020K11	Aluminium body for cavity 10 valve, SAE8 std thread
<b>SAE 12/2-SAE10</b>	3CC1220L11	Aluminium body for cavity 12 valve, SAE10 std thread
<b>SAE 16/2-SAE12</b>	3CC1020M11	Aluminium body for cavity 16 valve, SAE12 std thread

Note: aluminium body can stand up to 210 bar (3050 psi)  
For steel bodies or different threading see from page 215

6 Springs

TYPE	CODE	DESCRIPTION
1	3ML1081400	Pressure range 1 - white band
2	3ML1081401	Pressure range 2 - no band
3	3ML1081402	Pressure range 3 - red band

1 Cartridges

TYPE	CODE	DESCRIPTION
<b>SAE cavity 10/2</b>		
SW10A/OS2B	OSW10002000	Pressure range 2
<b>SAE cavity 12/2</b>		
SW12D/OS2B	OSW12002005	Pressure range 2
<b>SAE cavity 16/2</b>		
SW16A/OS2B	OSW16002000	Pressure range 2

2 Adjustments

TYPE	DESCRIPTION
S	Screw

Rating diagrams

