



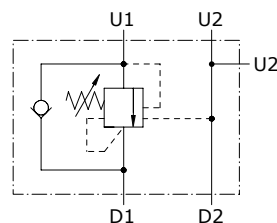
Type VOSL counterbalance valves

- Single acting
- Load sensitive

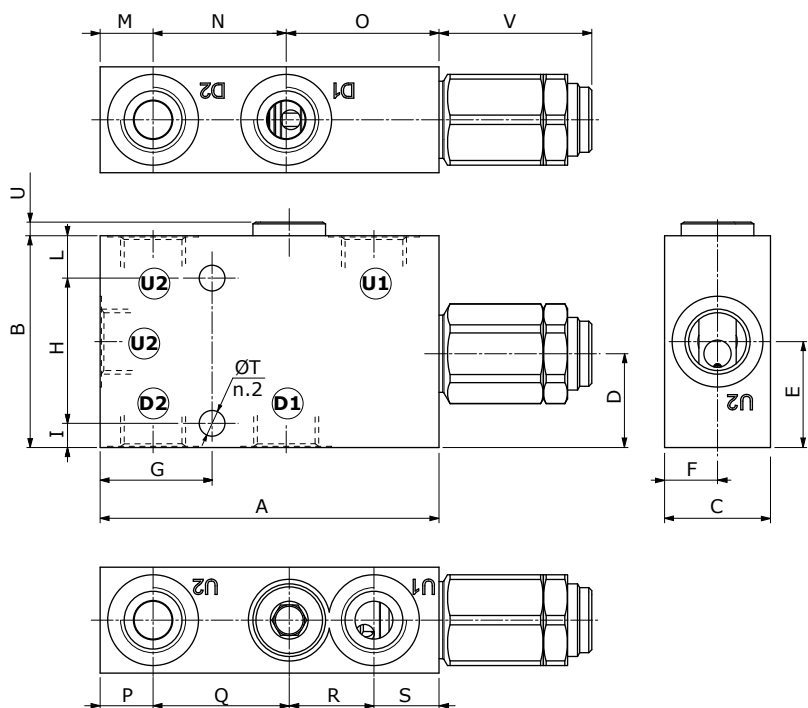
Technical specifications and diagrams are measured with mineral oil of 46 cSt viscosity at 40°C (104°F) temperature.

	VOSL 38	VOSL 12	VOSL 34	VOSL 100	
Nominal flow	35 l/min (9.2 US gpm)	70 l/min (18.4 US gpm)	100 l/min (26.4 US gpm)	180 l/min (47.6 US gpm)	
Max. pressure	Aluminium body = 210 bar (3050 psi) Steel body = 350 bar (5100 psi)				
Oil leakage	0.25 cm ³ /min - 0.015 in ³ /min. (5 drops) at 210 bar - 3050 psi at 80% of pressure setting				
Fluid	mineral based oil				
Viscosity	from 10 to 200 cSt				
Max. level of contamination	18/16/13 ISO4406				
Fluid temperature	with NBR seals from -20°C (-4°F) to 80°C (176°F)				
Environmental temp. for working conditions	from -40°C (-40°F) to 100°C (212°F)				
Weight	<i>aluminium</i>	0.78 kg (1.71 lb)	1.00 kg (2.20 lb)	1.85 kg (4.07 lb)	3.26 kg (7.18 lb)
	<i>steel</i>	1.52 kg (3.35 lb)	1.95 kg (4.29 lb)	3.55 kg (7.82 lb)	7.07 kg (15.5 lb)

NOTE - For different conditions, please contact Walvoil Sales Dpt.



Dimensions



Valve type	D1	D2	U1	U2
VOSL 38	G3/8	G3/8	G3/8	G3/8
VOSL 12	G1/2	G1/2	G1/2	G1/2
VOSL 34	G3/4	G3/4	G3/4	G3/4
VOSL 100	G1"	G1"	G1"	G1"

Dimensions are in mm-in

Valve type	A	B	C	D	E	F	G	H	I	L	M	N	O	P	Q	R	S	ØT	U	V
VOSL 38	105	65	30	27	32.5	15	34	40	8	17	16	38	51	16	38	29	22	8.5	4.5	52
	4.13	2.56	1.18	1.06	1.30	0.59	1.34	1.57	0.315	0.67	0.63	1.50	2.01	0.63	1.50	1.14	0.87	0.335	0.177	2.05
VOSL 12	112	70	35	31	35	17.5	37	48	8	14	17.5	44	50.5	17.5	45	28	21.5	8.5	4.5	57
	4.41	2.76	1.38	1.22	1.38	0.69	1.46	1.89	0.315	0.55	0.69	1.73	1.99	0.69	1.77	1.10	0.85	0.335	0.177	2.24
VOSL 34	140	90	40	36	45	20	52	70	10	10	22	53	65	22	53	35	30	10.5	5.5	66
	5.51	3.54	1.57	1.42	1.77	0.79	2.05	2.76	0.394	0.394	0.87	2.09	2.56	0.87	2.09	1.38	1.18	0.413	0.217	2.60
VOSL 100	174	100	60	37	50	37	64	80	10	10	32	66	76	32	66	46	30	10.5	12.5	66
	6.85	3.64	2.36	1.46	1.97	1.46	2.52	3.15	0.394	0.394	1.26	2.60	2.99	1.26	2.60	1.81	1.18	0.413	0.492	2.60

Ordering codes

VOSL complete valves

TYPE: **VOSL 38/TR.S.p4** CODE: 1510021102
 DESCRIPTION: Aluminium body, G3/8 ports, pilot ratio 1:4, range 50-350 bar (725-5075 psi), std setting 280 bar (4060 psi) @ 5 l/min (1.32 US gpm)

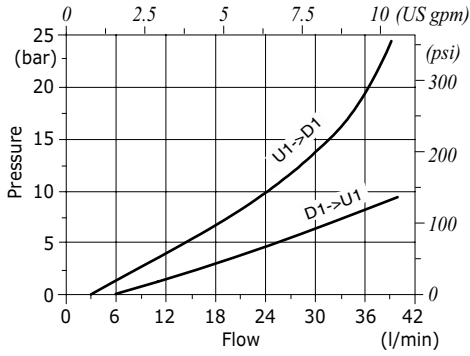
TYPE: **VOSL 12/TR.S.p7** CODE: 1510031102
 DESCRIPTION: Aluminium body, G1/2 ports, pilot ratio 1:7, range 50-350 bar (725-5075 psi), std setting 280 bar (4060 psi) @ 5 l/min (1.32 US gpm)

TYPE: **VOSL 34/TR.S.p7** CODE: 1510041102
 DESCRIPTION: Aluminium body, G3/4 ports, pilot ratio 1:7, range 50-350 bar (725-5075 psi), std setting 280 bar (4060 psi) @ 5 l/min (1.32 US gpm)

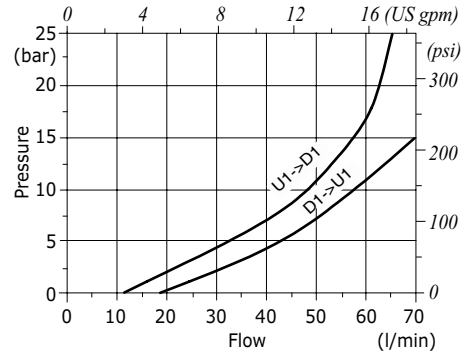
TYPE: **VOSL 100/TR.S.p7** CODE: 1510051102
 DESCRIPTION: Aluminium body, G1" ports, pilot ratio 1:7, range 50-350 bar (725-5075 psi), std setting 280 bar (4060 psi) @ 5 l/min (1.32 US gpm)

For other configurations and steel body, please contact our Sales Dpt

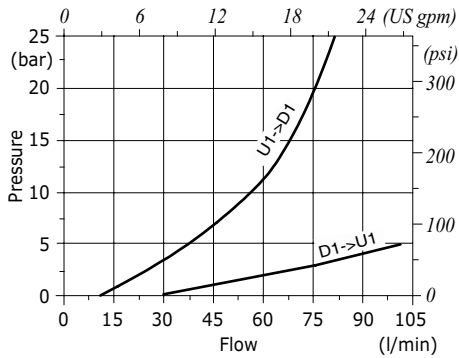
VOSL 38 pressure drop vs. flow from D1->U1 and U1->D1



VOSL 12 pressure drop vs. flow from D1->U1 and U1->D1



VOSL 34 pressure drop vs. flow from D1->U1 and U1->D1



VOSL 100 pressure drop vs. flow from D1->U1 and U1->D1

