



Type VPR/3/ET/VMP+VE flow control pressure compensated valves

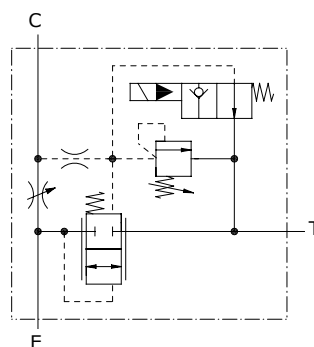
- 3 ways
- Electric venting
- With pressure relief valve

Technical specifications and diagrams are measured with mineral oil of 46 cSt viscosity at 40°C (104°F) temperature.

		VPR/3/ET 38	VPR/3/ET 12	VPR/3/ET 34	VPR/3/ET 100
		+VMP+VE	+VMP+VE	+VMP+VE	+VMP+VE
Max. inlet flow	Line E	50 l/min (13.2 US gpm)	90 l/min (23.8 US gpm)	150 l/min (39.6 US gpm)	240 l/min (63.4 US gpm)
Max. regulated flow	Line C	30 l/min (7.9 US gpm)	50 l/min (13.2 US gpm)	90 l/min (23.8 US gpm)	150 l/min (39.6 US gpm)
Max. regulated flow "SB"		15 l/min (4.0 US gpm)	25 l/min (6.6 US gpm)	45 l/min (11.9 US gpm)	75 l/min (19.8 US gpm)
Max. pressure		Aluminium body = 210 bar (3050 psi) Steel body = 350 bar (5100 psi)			
Fluid		mineral based oil			
Viscosity		from 10 to 200 cSt			
Max. level of contamination		18/16/13 ISO4406			
Fluid temperature		with NBR seals from -20°C (-4°F) to 80°C (176°F)			
Environmental temperature for working conditions		from -40°C (-40°F) to 100°C (212°F)			
Weight	aluminium	1.45 kg (3.19 lb)	1.45 kg (3.19 lb)	2.61 kg (5.75 lb)	5.70 kg (12.56 lb)
	steel	3.08 kg (6.79 lb)	3.08 kg (6.79 lb)	5.54 kg (12.21 lb)	12.21 kg (26.92 lb)

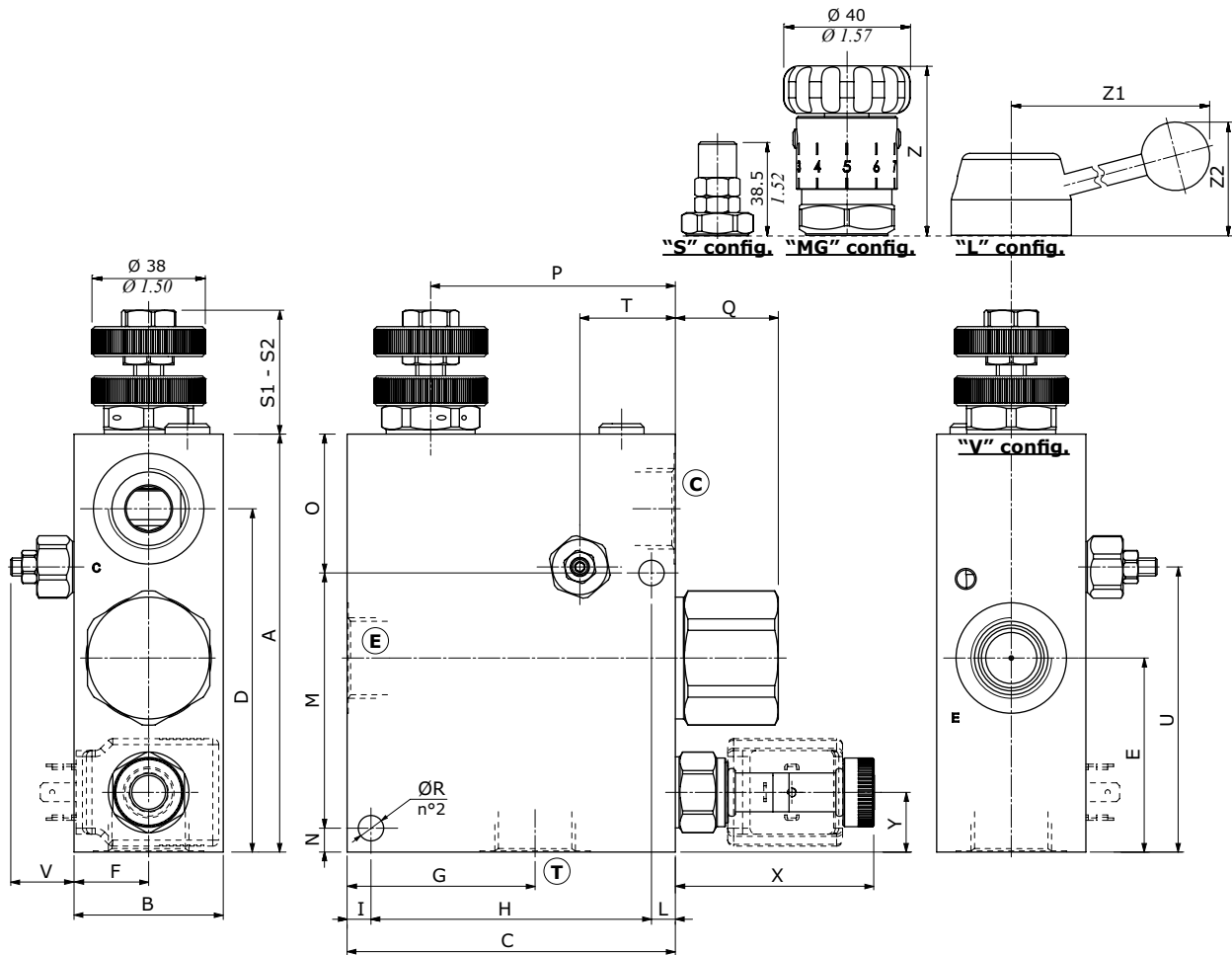
NOTE - For different conditions, please contact Walvoil Sales Dpt.

*"SB" execution (sensibilized adjustment)



Dimensions

VPR/3/ET 38+VMP+VE - VPR/3/ET 12+VMP+VE - VPR/3/ET 34+VMP+VE



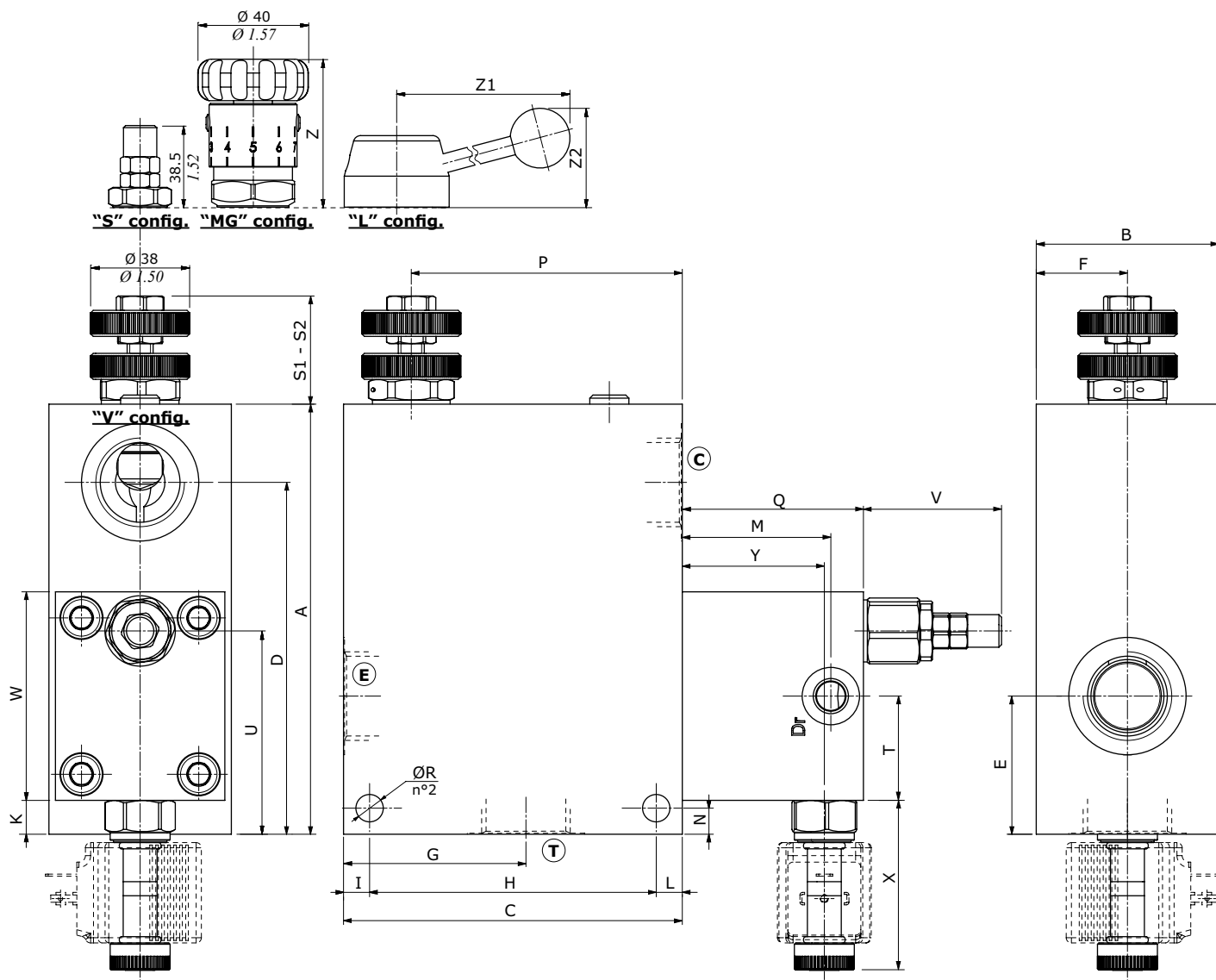
Valve type	Ⓔ	Ⓓ	Ⓒ
VPR/3/ET 38+VMP+VE	G3/8	G3/8	G3/8
VPR/3/ET 12+VMP+VE	G1/2	G1/2	G1/2
VPR/3/ET 34+VMP+VE	G3/4	G3/4	G3/4
VPR/3/ET 100+VMP+VE	G1"	G1"	G1"

Dimensions are in mm-in

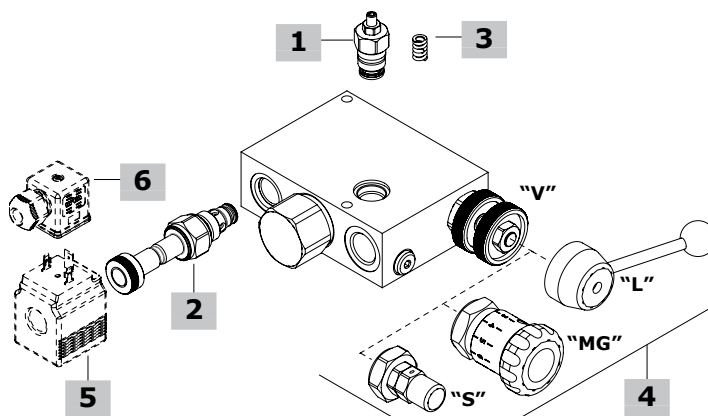
Valve type	A	B	C	D	E	F	G	H	I - L	K	M	N	P
VPR/3/ET 38+VMP+VE	120-4.72	40-1.57	90-3.54	103-4.05	61-2.40	20-0.78	50-1.97	78-3.07	6-0.236	-	78-3.07	6-0.236	70-2.75
VPR/3/ET 12+VMP+VE	120-4.72	40-1.57	90-3.54	103-4.05	61-2.40	20-0.78	50-1.97	78-3.07	6-0.236	-	78-3.07	6-0.236	70-2.75
VPR/3/ET 34+VMP+VE	140-5.51	50-1.97	110-4.33	115-4.53	65-2.56	25-0.98	66-0.31	94-3.7	8-0.315	-	85.5-3.37	8-0.315	82-3.23
VPR/3/ET 100+VMP+VE	165-6.50	70-2.75	130-5.12	135-5.31	53-2.08	35-1.38	70-2.75	110-4.33	10-0.394	13-0.51	57-2.24	10-0.394	104-4.09

Valve type	Q	ØR	S1	S2	T	U	V	W	X (NA)	Y	Z	Z1	Z2
VPR/3/ET 38+VMP+VE	27.2-1.07	6.5-0.25	46.3-1.82	52.6-2.07	27-1.06	84-3.31	25-0.98	-	66.7-2.63	20-0.79	53.3-2.10	101.3-3.99	47.6-1.87
VPR/3/ET 12+VMP+VE	27.2-1.07	6.5-0.25	46.3-1.82	53.1-2.09	27-1.06	84-3.31	25-0.98	-	66.7-2.63	21.5-0.85	53.3-2.10	101.3-3.99	47.6-1.87
VPR/3/ET 34+VMP+VE	34.5-1.36	8.5-0.33	41.5-1.73	50.5-1.99	32-1.26	95.5-3.76	25-0.98	-	66.7-2.63	20-0.79	56.5-2.22	103.6-4.08	50.1-1.97
VPR/3/ET 100+VMP+VE	69.5-2.74	10.5-0.413	41.5-1.73	50.5-1.99	40-1.57	78-3.07	53-2.09	80-3.15	65.2-2.57	54.5-2.15	56.5-2.22		

VPR/3/ET 100+VMP+VE



Ordering codes and description composition



VPR/3/ET/VMP+VE complete valves

Adjustment kit type "V" (handwheel)

Configuration with normally open (NA) solenoid valve

TYPE: **VPR/3/ET 38+VMP+VE(EC08M).NA/V/02.TS** CODE: 1624021100

DESCRIPTION: alum. body, 3/8 ports, setting range 50-220 bar (725-3200 psi)

TYPE: **VPR/3/ET 12+VMP+VE(EC08M).NA/V/02.TS** CODE: 1624031100

DESCRIPTION: alum. body, 1/2 ports, setting range 50-220 bar (725-3200 psi)

TYPE: **VPR/3/ET 34+VMP+VE(EC08M).NA/V/02.TS** CODE: 1624041100

DESCRIPTION: alum. body, 3/4 ports, setting range 50-220 bar (725-3200 psi)

TYPE: **VPR/3/ET 100+VMP+VE(EC08M).NA/V/03.TS** CODE: 1624051100

DESCRIPTION: alum. body, 1" ports, setting range 50-200 bar (725-2900 psi)

TYPE: **VPR/3/ET 38+VMP+VE(EC08M).NA/V/02.TS/ac** CODE: 1624022101

DESCRIPTION: steel body, 3/8 ports, setting range 50-220 bar (725-3200 psi)

TYPE: **VPR/3/ET 12+VMP+VE(EC08M).NA/V/02.TS/ac** CODE: 1624032102

DESCRIPTION: steel body, 1/2 ports, setting range 50-220 bar (725-3200 psi)

TYPE: **VPR/3/ET 34+VMP+VE(EC08M).NA/V/02.TS/ac** CODE: 1624042100

DESCRIPTION: steel body, 3/4 ports, setting range 50-220 bar (725-3200 psi)

TYPE: **VPR/3/ET 100+VMP+VE(EC08M).NA/V/03.TS/ac** CODE: 1624052101

DESCRIPTION: steel body, 1" ports, setting range 50-200 bar (725-2900 psi)

Configuration with normally closed (NC) solenoid valve

TYPE: **VPR/3/ET 38+VMP+VE(EC08M).NC/V/02.TS** CODE: 1624021103

DESCRIPTION: alum. body, 3/8 ports, setting range 50-220 bar (725-3200 psi)

TYPE: **VPR/3/ET 12+VMP+VE(EC08M).NC/V/02.TS** CODE: 1624031103

DESCRIPTION: alum. body, 1/2 ports, setting range 50-220 bar (725-3200 psi)

TYPE: **VPR/3/ET 34+VMP+VE(EC08M).NC/V/02.TS** CODE: 1624041103

DESCRIPTION: alum. body, 3/4 ports, setting range 50-220 bar (725-3200 psi)

TYPE: **VPR/3/ET 100+VMP+VE(EC08M).NC/V/03.TS** CODE: 1624051103

DESCRIPTION: alum. body, 1" ports, setting range 50-200 bar (725-2900 psi)

Adjustment kit type "MG" (handknob)

Configuration with normally open (NA) solenoid valve

TYPE: **VPR/3/ET 38+VMP+VE(EC08M).NA/MG/02.TS** CODE: 1624021101

DESCRIPTION: alum. body, 3/8 ports, setting range 50-220 bar (725-3200 psi)

TYPE: **VPR/3/ET 12+VMP+VE(EC08M).NA/MG/02.TS** CODE: 1624031101

DESCRIPTION: alum. body, 1/2 ports, setting range 50-220 bar (725-3200 psi)

TYPE: **VPR/3/ET 34+VMP+VE(EC08M).NA/MG/02.TS** CODE: 1624041101

DESCRIPTION: alum. body, 3/4 ports, setting range 50-220 bar (725-3200 psi)

TYPE: **VPR/3/ET 100+VMP+VE(EC08M).NA/MG/03.TS** CODE: 1624051101

DESCRIPTION: alum. body, 1" ports, setting range 50-200 bar (725-2900 psi)

Configuration with normally closed (NC) solenoid valve

TYPE: **VPR/3/ET 38+VMP+VE(EC08M).NC/MG/02.TS** CODE: 1624021104

DESCRIPTION: alum. body, 3/8 ports, setting range 50-220 bar (725-3200 psi)

TYPE: **VPR/3/ET 12+VMP+VE(EC08M).NC/MG/02.TS** CODE: 1624031104

DESCRIPTION: alum. body, 1/2 ports, setting range 50-220 bar (725-3200 psi)

TYPE: **VPR/3/ET 34+VMP+VE(EC08M).NC/MG/02.TS** CODE: 1624041104

DESCRIPTION: alum. body, 3/4 ports, setting range 50-220 bar (725-3200 psi)

TYPE: **VPR/3/ET 100+VMP+VE(EC08M).NC/MG/03.TS** CODE: 1624051104

DESCRIPTION: alum. body, 1" ports, setting range 50-200 bar (725-2900 psi)

VPR/3/ET/VMP+VE complete valves

Adjustment kit type "L" (lever)

Configuration with electric valve normally open (NA)

TYPE: **VPR/3/ET 38+VMP+VE(EC08M).NA/L/02.TS** CODE: 1624021102

DESCRIPTION: alum. body, 3/8 ports, setting range 50-220 bar (725-3200 psi)

TYPE: **VPR/3/ET 12+VMP+VE(EC08M).NA/L/02.TS** CODE: 1624031102

DESCRIPTION: alum. body, 1/2 ports, setting range 50-220 bar (725-3200 psi)

TYPE: **VPR/3/ET 34+VMP+VE(EC08M).NA/L/02.TS** CODE: 1624041102

DESCRIPTION: alum. body, 3/4 ports, setting range 50-220 bar (725-3200 psi)

TYPE: **VPR/3/ET 100+VMP+VE(EC08M).NA/L/03.TS** CODE: 1624051102

DESCRIPTION: alum. body, 1" ports, setting range 50-200 bar (725-2900 psi)

Configuration with electric valve normally closed (NC)

TYPE: **VPR/3/ET 38+VMP+VE(EC08M).NC/L/02.TS** CODE: 1624021105

DESCRIPTION: alum. body, 3/8 ports, setting range 50-220 bar (725-3200 psi)

TYPE: **VPR/3/ET 12+VMP+VE(EC08M).NC/L/02.TS** CODE: 1624031105

DESCRIPTION: alum. body, 1/2 ports, setting range 50-220 bar (725-3200 psi)

TYPE: **VPR/3/ET 34+VMP+VE(EC08M).NC/L/02.TS** CODE: 1624041105

DESCRIPTION: alum. body, 3/4 ports, setting range 50-220 bar (725-3200 psi)

TYPE: **VPR/3/ET 100+VMP+VE(EC08M).NC/L/03.TS** CODE: 1624051105

DESCRIPTION: alum. body, 1" ports, setting range 50-200 bar (725-2900 psi)

For other steel body configurations, SAE thread and configurations with FPM (Viton) seals, please contact our Sales Dpt.

1 Pressure relief valve

TYPE	CODE	DESCRIPTION
------	------	-------------

For VPR/3/ET 38-12-34+VMP+VE valves

VMP 02/TS.S	1100000101	Direct acting cartridge, setting range 50-220 bar (725-3200 psi)
--------------------	------------	--

For VPR/3/ET 100+VMP+VE valve

MC08A/0S2B	0MC08002000	Direct acting cartridge, setting range 50-200 bar (725-2900 psi)
-------------------	-------------	--

2 Solenoid valve

TYPE	CODE	DESCRIPTION
------	------	-------------

EC08M/10NB	0EC08002031	Normally open (NA) configuration
-------------------	-------------	----------------------------------

EC08M/20NB	0EC08002032	Normally closed (NC) configuration)
-------------------	-------------	-------------------------------------

3 Pressure setting springs

TYPE	CODE	DESCRIPTION
------	------	-------------

For VPR/3/ET 38-12-34+VMP+VE valves

TV	3ML1081400	Setting range 5-80 bar (72.5-1150 psi)
TS	3ML1081401	Setting range 50-220 bar (725-3200 psi)
TR	3ML1081402	Setting range 180-350 bar (2600-5100 psi)

For VPR/3/ET 100+VMP+VE valve

TV	3ML1092500	Setting range 5-50 bar (72.5-725 psi)
TS	3ML1092501	Setting range 50-200 bar (725-2900 psi)
TR	3ML1092502	Setting range 150-350 bar (2200-5100 psi)

Flow control valves

Flow control pressure compensated valves

VPR/3/ET/VMP+VE

Ordering codes and description composition

4 Adjustment kit

TYPE	CODE	DESCRIPTION
For VPR/3/ET 38+VMP+VE valve		
V.SB	5KT6200200	"V" handwheel type in "SB" configuration (sensibilized adjustment)
V	5KT6130200	"V" handwheel type
MG	5KT6200202	"MG" handknob type
S	5KT6200211	"S" screw type
For VPR/3/ET 12+VMP+VE valves		
V.SB	5KT6130301	"V" handwheel type in "SB" configuration (sensibilized adjustment)
V	5KT6130200	"V" handwheel type
MG	5KT6200202	"MG" handknob type
S	5KT6200211	"S" screw type
For VPR/3/ET 34-100+VMP+VE valve		
V	5KT6130401	"V" handwheel type
MG	5KT6200400	"MG" handknob type
S	5KT6130404	"S" screw type
V.SB	5KT6130402	"V" handwheel type in "SB" configuration (sensibilized adjustment)

5 Coils

TYPE	CODE	DESCRIPTION
BER 12VDC	4SLE001200A	12VDC-ISO4400 coil for EC08M

For complete coils list see from page 433

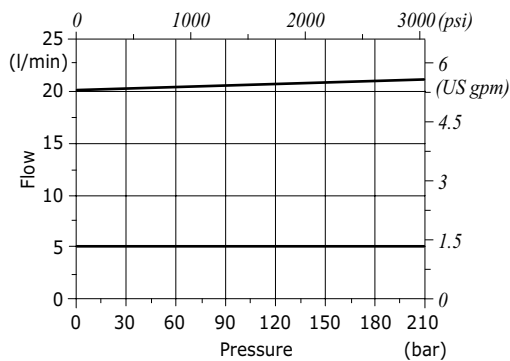
6 Connector

TYPE	CODE	DESCRIPTION
ISO4400	4CN1009995	Connector

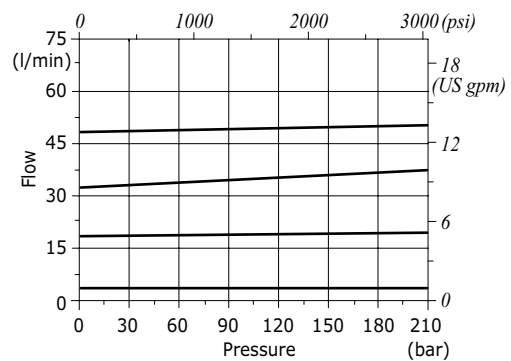
For complete connectors list see from page 433

Rating diagrams

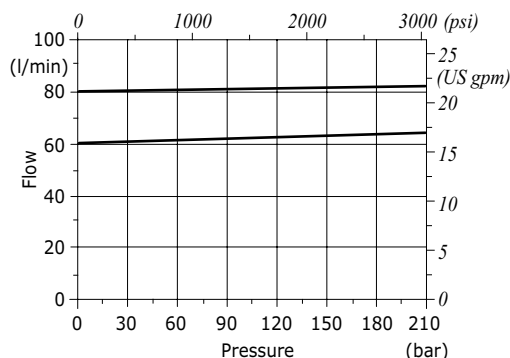
VPR/3/ET 38+VMP+VE pressure compensation diagram (E→C)



VPR/3/ET 12+VMP+VE pressure compensation diagram (E→C)



VPR/3/ET 34+VMP+VE pressure compensation diagram (E→C)



VPR/3/ET 100+VMP+VE pressure compensation diagram (E→C)

